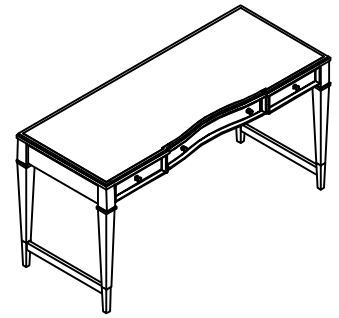


**Warning :**

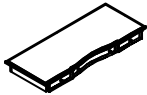






- Be sure to check all packing material carefully for small parts, which may have come loose inside the carton during shipment.
- To prevent possible scratches and damage, this furniture **MUST BE ASSEMBLED BY TWO PEOPLE** on a soft surface such as a blanket or carpet.



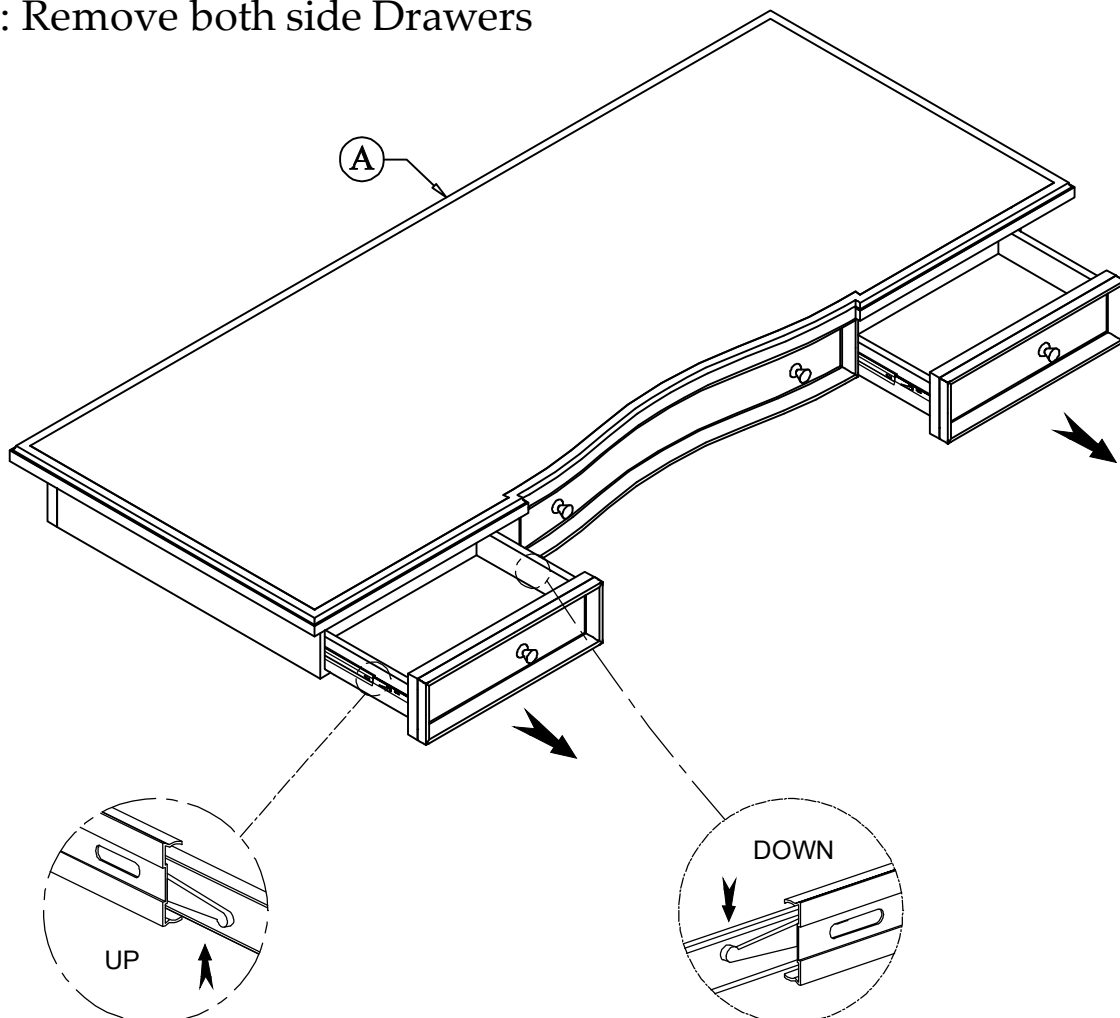
50231  
Writing Desk

**Important Use Information:** We recommend using coasters, placemats and trivets when placing hot or cold containers on this item. It is also recommended to quickly cleanup any spills to minimize exposure to moisture. Doing so will prolong the life and look of the item for many years.

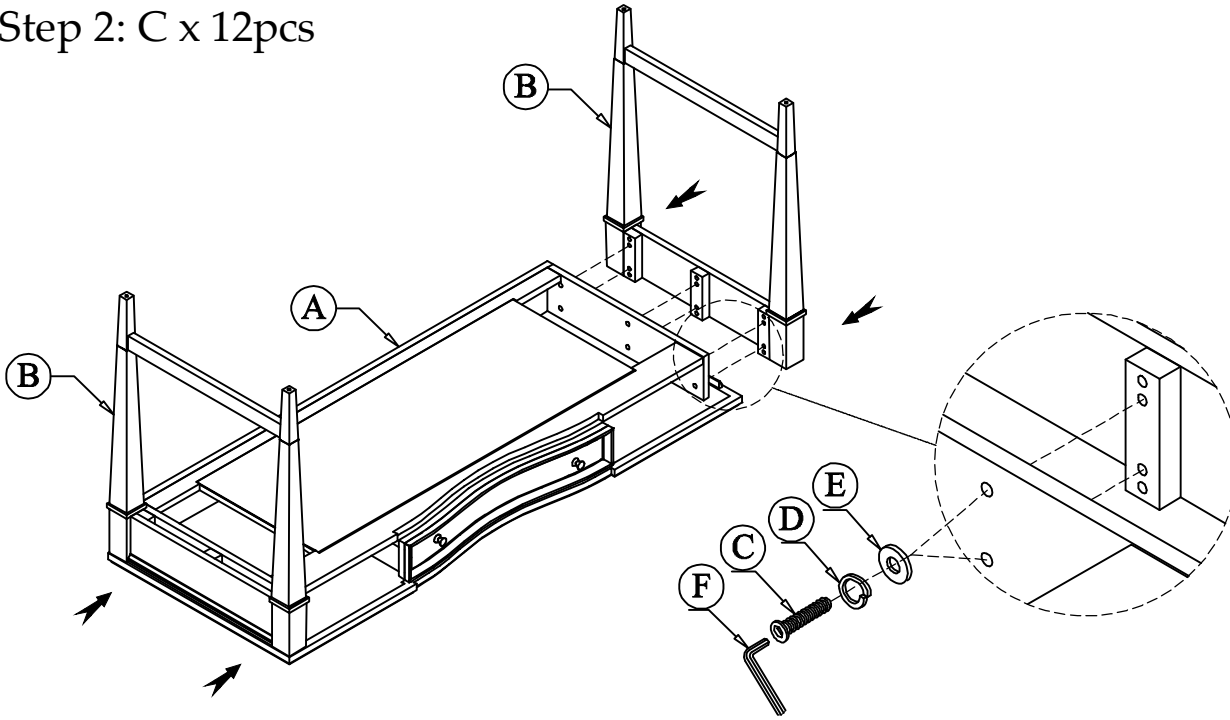
**Components and Hardware List**

<p>Table Top</p>  <p>(A) 1 pc.</p>	<p>Leg Frame</p>  <p>(B) 2 pcs.</p>	<p>Allen Head Bolt 5/16"-18 x 3"</p>  <p>(C) 12 pcs.</p>	<p>Spring Washer 5/16"</p>  <p>(D) 12 pcs.</p>	<p>Flat Washer 5/16" x 19 x 2mm</p>  <p>(E) 12 pcs.</p>	<p>Allen Key 5mm</p>  <p>(F) 1 pc.</p>	<p>Anti-Tip Restraint Kit (attached to back of unit)</p>  <p>(G) 1 pc.</p>
--------------------------------------------------------------------------------------------------------------------	-----------------------------------------------------------------------------------------------------------------------	-----------------------------------------------------------------------------------------------------------------------------------------------	-------------------------------------------------------------------------------------------------------------------------------------	-----------------------------------------------------------------------------------------------------------------------------------------------	---------------------------------------------------------------------------------------------------------------------------	--------------------------------------------------------------------------------------------------------------------------------------------------------------------

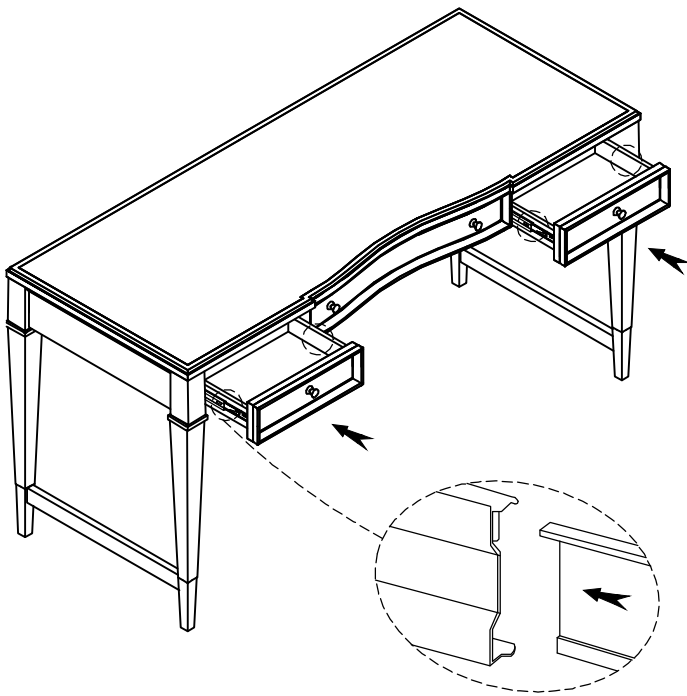
**Step 1 : Remove both side Drawers**



Step 2: C x 12pcs



Step 3 : Attach both side drawers



Step 4

